



METALPOL



Whatever your need, we have a steel pole designed for you!





- Who is METALPOL?.....4
- Where is METALPOL?.....5
- Tapered Poles
 - Round Tapered Poles6
 - Square Tapered Poles8
 - Multi-Sided Tapered Poles10
 - Decorative Tapered Poles12
- Lighting Poles
 - Area Lighting14
 - Roadway Lighting15
 - High Mast Lighting16
 - Sports Lighting17
- Traffic
 - Traffic Structures18
- Communications
 - Monopoles20
- Utility Poles
 - Distribution Poles22
 - Transmission Poles24
 - Utility Lighting Poles26
- Custom
 - Custom Designed Poles27
- Accessories28
- Continuos Improvement29

Who is METALPOL?



Who are we?

METALPOL is a Mexican company located in the city of Gómez Palacio, Durango, with more than 50 years of experience in the manufacturing of metal products. For the past 15 years, we have dedicated ourselves solely to the manufacturing of steel poles. METALPOL offers a wide range of steel pole products: area, roadway, high-mast and decorative lighting poles; utility distribution and transmission poles; wireless communication monopoles; traffic-signal poles; custom-designed poles.

Our experience in the steel manufacturing process and our customer-driven marketing philosophy has enabled us to grow into an international leader in the steel pole industry with sales throughout North America and Central America. We strive to exceed our customers' expectations no matter the quantity, size, design or volume of their order. Our goal is to produce the highest-quality products in a timely manner and at a competitive price.

METALPOL has more than 50 years of experience manufacturing metal products.

METALPOL offers steel poles for these markets:

- *Utility
- *Lighting
- *Transportation
- *Communications



✓ **High-quality products**

✓ **Excellent customer service**

✓ **Competitive prices**

Mission

At METALPOL our mission is:

- To offer high-quality products along with excellent service and thus become our customers' best option in the steel pole industry.
- To provide complete satisfaction to our clients and to our employees and their families.
- To maintain an efficient manufacturing process, thus enabling us to have competitive prices and a profitable operation.

Where is METALPOL located?

Where are we?

METALPOL is located in the city of Gómez Palacio, Durango. Gómez Palacio is centrally located in the northern part of Mexico. It is part of the metropolitan area known as “La Comarca Lagunera” (“The Lagoon Region”) which is made up of 3 cities - Gómez Palacio and Lerdo in the state of Durango, and Torreón in the state of Coahuila. There is an international airport located in Torreón. The estimated population for the metropolitan area of “La Comarca Lagunera” is 1,375,000.

METALPOL is in the city of Gomez Palacio, centrally located in northern Mexico.

Gómez Palacio is located at a crossroads section of Mexico with major highways going north-south and east-west. To the north is the border city of El Paso, Texas (514 miles) and to the south is Mexico City (633 miles). Directly to the west is the important manufacturing city of Monterrey, Nuevo Leon (217 miles). The closest border crossing from METALPOL is Laredo, Texas (367 miles), which offers us convenient access to the heartland of the United States.

The closest border city to METALPOL is Laredo, Texas (367 miles), which offers convenient access to the heartland of the USA.

The major steel mills of Mexico are also all located in the northern part of the country: Monclova, Coahuila (199 miles), and Monterrey, Nuevo Leon (217 miles). Additionally, steel can easily be imported from steel suppliers located in Houston, Texas (722 miles).



Driving distances from METALPOL to:

Monterrey, Nuevo Leon	217 miles	Mexico City	633 miles
Laredo, Texas, USA	367 miles	Houston, Texas, USA	722 miles
El Paso, Texas, USA,	14 miles	Dallas, Texas, USA	792 miles
San Antonio, Texas, USA	522 miles	Phoenix, Arizona, USA	954 miles



Round Tapered Poles

METALPOL specializes in manufacturing Round Tapered Poles. These poles are manufactured from structural quality weldable grade coil steel (A-1011, 55,000 psi or A-572, 65,000 psi) and include one full length longitudinal welding seam. Steel thickness can range from 11 gauge (3.0 mm) to ¼ inch (6.35 mm). Each piece can range in height from 8 feet (2.4 meters) to 50 feet (15.24 meters). The minimum outside diameter (O.D.) at top of shaft is 2.375 inches (60.3 mm), while the maximum outside diameter (O.D.) at base of shaft is 13.0 inches (330.2 mm). Our standard taper is 0.14" per foot of length. This taper can be adjusted +/- 20% to meet the customer's needs.

METALPOL specializes in manufacturing Round Tapered Poles.

We also offer Round Non-Tapered Poles.

Round tapered and non-tapered poles are a popular, attractive, and affordable choice for roadway lighting and for area lighting for shopping and distribution centers, office and apartment buildings, commercial and industrial areas, and more.



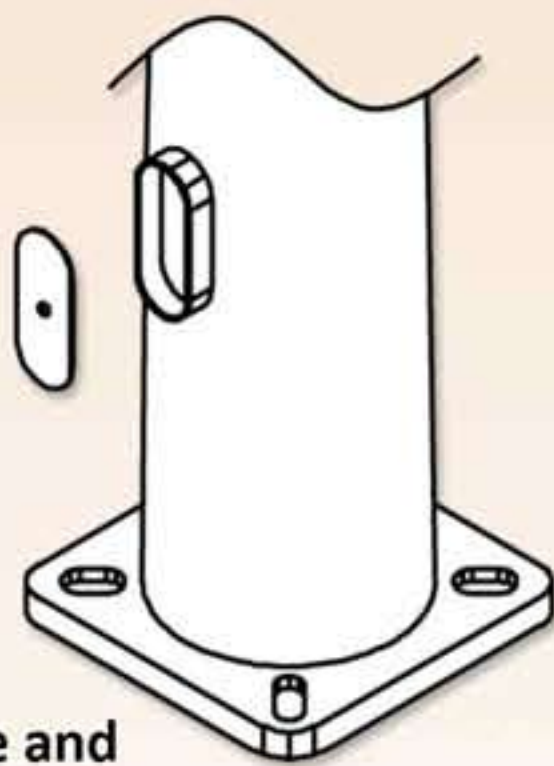
We offer these round tapered poles with additional components such as: baseplates, handholes, anchor bolts, base covers, and pole caps.

We offer tenon mounts or drill mounts for luminaires. Standard finishes for these poles include epoxy prime, hot dip galvanized, epoxy paint or just bare steel. Please see the Accessories section (page 28) for other possible options.

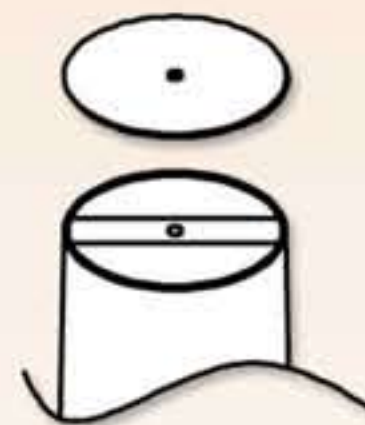
Tapered Poles

Round Tapered Poles

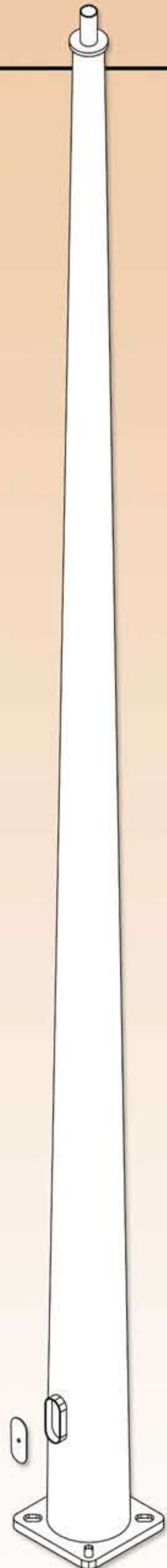
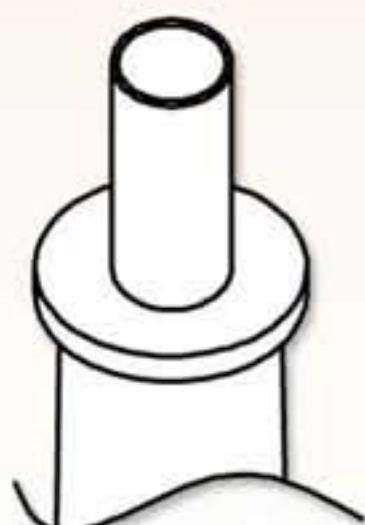
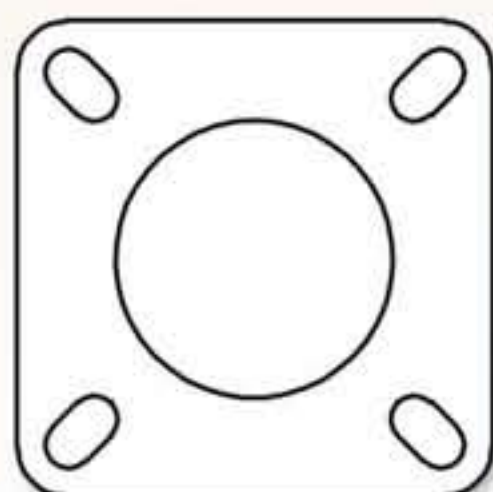
Pole Shaft Size				80 MPH w/ 1.3 Gust		90 MPH w/ 1.3 Gust		100 MPH w/ 1.3 Gust	
Nominal Mounting Height (ft)	Base OD (in)	Top OD (in)	Wall Thk (ga)	Max EPA (ft ²)	Max Weight (lbs)	Max EPA (ft ²)	Max Weight (lbs)	Max EPA (ft ²)	Max Weight (lbs)
20.0	5.9	3.1	11	19.3	482	15.1	482	12.2	305
20.0	6.5	3.7	11	24.2	605	19.3	482	15.6	390
25.0	5.9	2.4	11	12.5	312	9.9	247	8.0	200
25.0	7.0	3.5	11	20.3	507	16.2	405	13.1	327
25.0	7.0	3.5	7	30.5	760	24.0	625	19.8	495
30.0	6.6	2.4	11	11.7	292	9.3	232	7.5	187
30.0	8.0	3.8	11	18.9	473	14.9	373	12.0	300
30.0	8.0	3.8	7	33.5	838	27.0	675	22.0	550
35.0	7.3	2.4	11	11.2	280	8.5	212	6.6	165
35.0	8.5	3.6	11	18.9	472	15.1	377	12.2	305
35.0	9.5	4.6	11	23.2	580	18.2	455	14.5	363
39.0	7.8	2.4	11	10.7	267	8.5	212	6.6	165
39.0	9.0	3.6	11	17.2	430	13.5	338	10.8	270
39.0	9.0	3.6	7	28.5	715	23.0	575	19.0	475
45.0	10.0	3.7	11	17.4	435	13.5	338	10.6	265
45.0	10.0	3.7	7	28.5	715	23.0	575	19.0	475
45.0	11.0	4.7	7	35.7	893	28.0	700	22.3	558
50.0	10.0	3.0	11	13.2	330	10.6	265	8.3	208
50.0	10.0	3.0	7	20.5	512	16.5	412	13.6	340
50.0	11.0	4.0	7	29.9	748	23.5	588	18.6	465
50.0	13.0	6.0	7	50.4	1260	39.7	992	31.4	785
50.0	13.0	6.0	3	69.2	1730	55.0	1375	44.2	1105



Base Plate and Hand Hole Details



Pole Cap or Tenon Mount





Square Tapered Poles

METALPOL also offers Square Tapered Poles. These poles are manufactured from structural quality weldable grade coil steel (A-1011, 55,000 psi or A-572, 65,000 psi) and include one full length longitudinal welding seam. Steel thickness can range from 11 gauge (3.0 mm) to ¼ inch (6.35 mm). Each piece can range in height from 8 feet (2.44 meters) to 50 feet (15.24 meters). The minimum outside diameter (O.D.) at top of shaft is 3.0 inches (76.2 mm), while the maximum outside diameter (O.D.) at base of shaft is 12.5 inches (317.5 mm). Our standard taper is 0.14" per foot of length. This taper can be adjusted +/- 20% to meet the customer's needs.

We also offer Square Non-Tapered Poles.

Square tapered and non-tapered poles are a popular, affordable and attractive choice for area lighting for schools, shopping centers, parks, hotels, and churches.



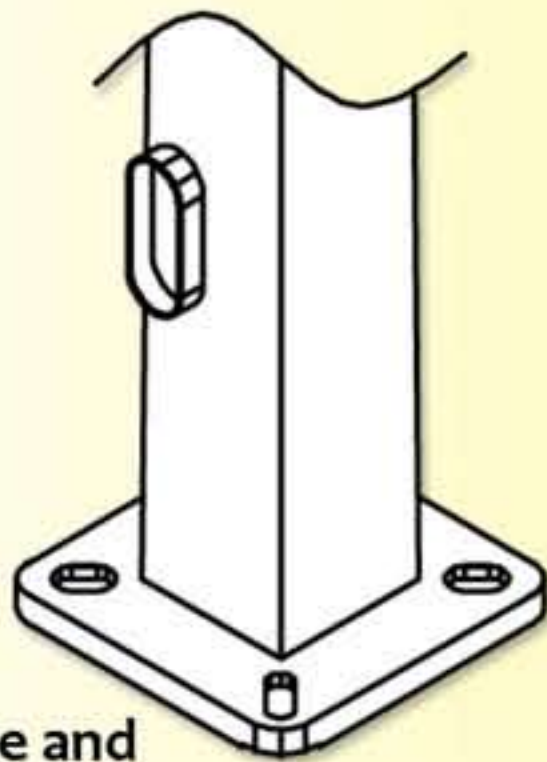
We offer these square tapered poles with additional components such as: baseplates, handholes, anchor bolts, base covers, and pole caps. We offer tenon mounts or drill mounts for luminaires. Standard finishes for these poles include epoxy prime, hot dip galvanized, epoxy paint or just bare steel. Please see the Accessories section (page 28) for other possible options.



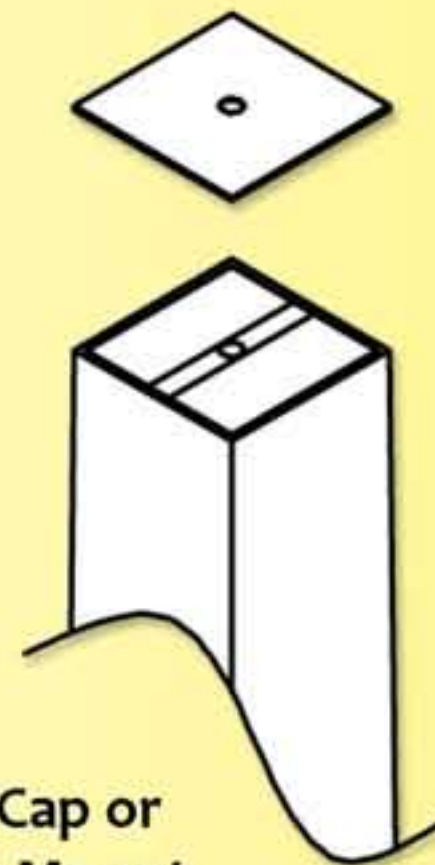
Tapered Poles

Square Tapered Poles

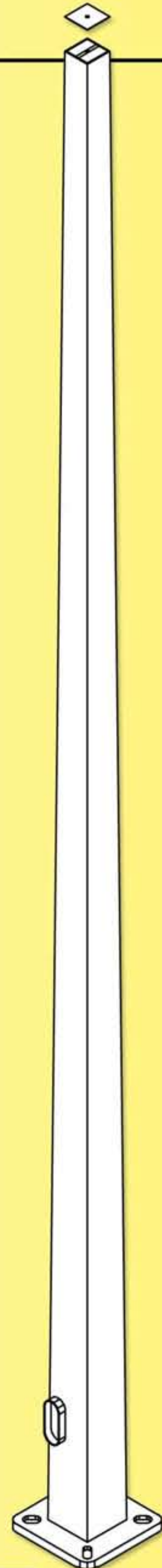
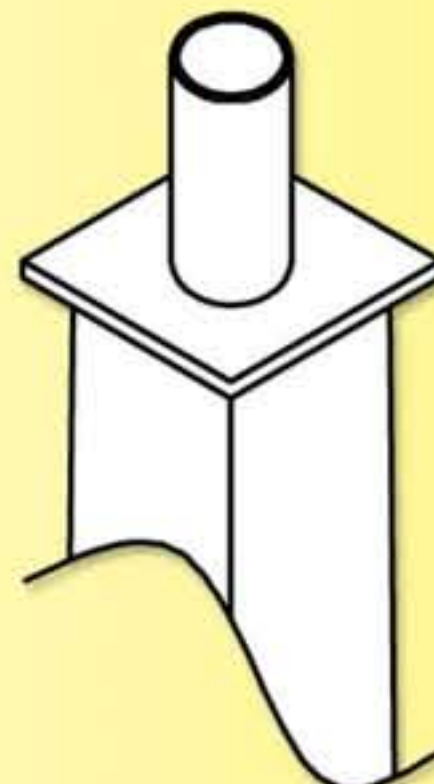
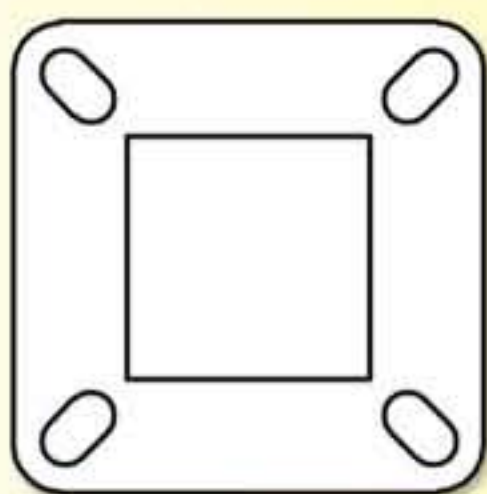
Pole Shaft Size				80 MPH w/ 1.3 Gust		90 MPH w/ 1.3 Gust		100 MPH w/ 1.3 Gust	
Nominal Mounting Height (ft)	Base OD (in)	Top OD (in)	Wall Thk (ga)	Max EPA (ft ²)	Max Weight (lbs)	Max EPA (ft ²)	Max Weight (lbs)	Max EPA (ft ²)	Max Weight (lbs)
20.0	5.25	3.05	11	18	452	13.8	345	10.7	268
20.0	5.50	3.30	7	30.5	764	24.0	602	19.0	477
25.0	6.00	3.25	11	16.8	422	12.6	315	9.5	238
25.0	6.41	3.66	7	28.5	713	22.5	563	18.2	455
30.0	6.41	3.11	11	13.6	340	9.8	245	7.0	175
30.0	6.41	3.11	7	23.6	590	17.9	448	13.7	343
30.0	7.13	3.83	7	27.4	687	21.6	542	17.3	434
35.0	6.81	2.96	11	10.7	269	7.3	184	4.8	120
35.0	7.13	3.28	7	23.4	585	17.4	435	13.0	325
35.0	7.88	4.03	7	25.7	643	18.8	470	13.8	345
39.0	7.18	2.92	11	8.6	215	5.4	135	3.0	75
39.0	7.13	2.87	7	19.3	483	14.2	355	10.4	260
39.0	8.75	4.49	7	26.1	654	20.6	517	16.2	405
45.0	8.75	3.80	7	23.5	588	16.6	415	11.4	287



Base Plate and Hand Hole Details



Pole Cap or Tenon Mount





Multi-Sided Tapered Poles

METALPOL also manufactures Multi-Sided Tapered Poles. These poles are manufactured from structural quality weldable grade coil steel (A-1011, 55,000 psi; A-572, 65,000 psi; or A-871, 65,000 psi) and include one or two full length longitudinal welding seams. Steel thickness can range from 11 gauge (3.0 mm) to 3/4 inch (19.05 mm). Each piece can range in height from 8 feet (2.44 meters) to 50 feet (15.24 meters). The minimum outside diameter (O.D.) at top of shaft is 2.5 inches (63.5 mm), while the maximum outside diameter (O.D.) at base of shaft is 60.0 inches (1524 mm). Our standard taper is 0.14" per foot of length. This taper can be adjusted to meet the customer's needs. Multi-sided poles are usually 8, 12, 16, or 18 sided, but can be any number of sides to meet our customers needs.

We offer these multi-sided tapered poles with additional components such as: baseplates, handholes, anchor bolts, base covers, and top caps. We offer tenon mounts or drill mounts for luminaires. Standard finishes for these poles include epoxy prime, hot dip galvanized, epoxy paint or just bare steel. Please see the Accessories section (page 28) for other possible options.

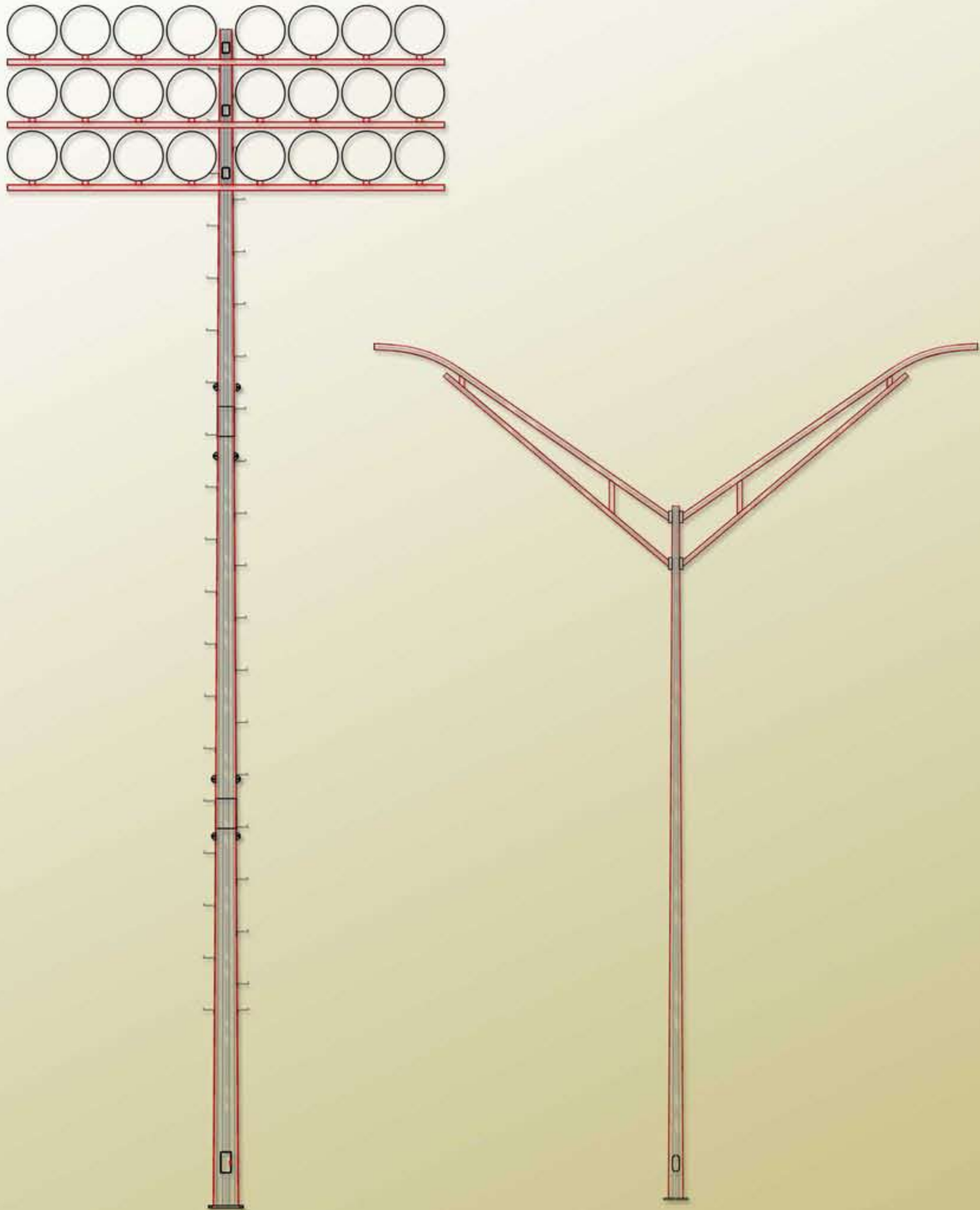


We also offer Multi-Sided Non-Tapered Poles. Multi-sided poles are our most versatile poles in their end use applications.

Multi-sided tapered and non-tapered poles are the pole of choice for roadway lighting, especially in heavily trafficked areas. They are also used for sports lighting, transmission poles and wireless communication monopoles.



Multi-Sided Tapered Poles



Decorative Tapered Poles

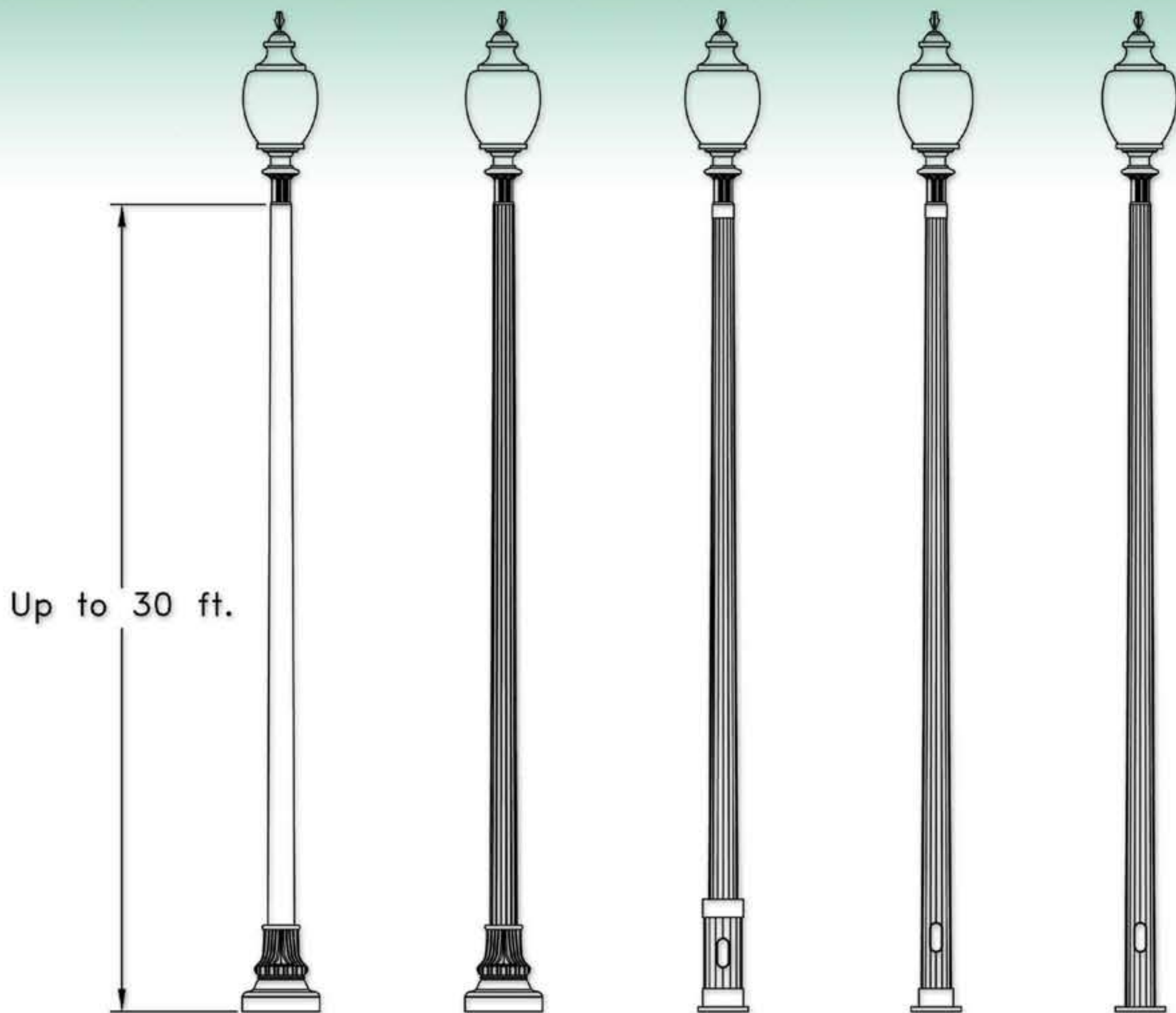
METALPOL also manufactures Decorative Steel Poles. These decorative poles are an inexpensive alternative to decorative cast aluminum or cast iron poles. These poles add a touch of class and a vintage-feel to downtown environments, plazas, squares, parks, gardens, etc.

These poles are manufactured from structural quality weldable grade coil steel and include one full length longitudinal welding seam. Steel thickness is 11 gauge (3.04 mm). Each piece can range in height from 8 feet (2.44 meters) to 30 feet (9.14 meters). These decorative tapered steel poles are designed with 16-sides. Our standard taper is 0.14" per foot of length. This taper can be adjusted +/- 20% to meet the customer's needs. Standard finishes for these poles include epoxy prime, hot dip galvanized, epoxy paint, powder coated painted or just the bare pole.

Decorative lighting poles are much in demand for historic sites, downtown renovations, and themed subdivisions.



Decorative Tapered Poles



Area Lighting Poles

Area lighting refers to the outdoor lighting of any premises for the safety and security of people and property. METALPOL offers a variety of dependable and aesthetically pleasing pole options to light parking lots, work yards, building facades, parks, shopping malls, churches, schools, museums, and much more. Our area lighting pole choices include round, square, decorative, tapered, and nontapered poles.



Area lighting provides for the safety and security of people and property.



Roadway Lighting Poles

Roadway lighting is the lighting of any type of roadway with vehicle traffic. Roadway lighting includes lighting for residential streets, interstates, highways, access roadways, overpasses and underpasses, tollbooths, and more. Efficient roadway lighting requires that it be safe, economical, and low-maintenance. METALPOL supplies poles that meet all three requirements in a variety of designs and styles. We can design poles to match existing structures or have more contemporary designs available. We can manufacture roadway lighting poles using U.S. domestic steel and provide the steel certifications, if required.

Roadway lighting involves the lighting of any type of roadway with vehicle traffic.

Roadways are lit for 2 primary reasons - visibility and safety.



High Mast Lighting Poles

High-mast lighting poles range in height from 50' to 200' and therefore must be designed and built to exacting standards. MetalPol meets this challenge with high mast poles designed for highway overpasses and cloverleaves, ports, prisons, stadiums, shopping centers, airports, power plants, and industrial areas. Our high-mast poles are multi-sided tapered poles (see page 10 for more information), and are adaptable to lowering devices or fixed mounting arrangements.



High mast lighting poles are designed to light up large areas, thus providing safety and functionality for highways, ports, shopping centers, and industrial areas.



Sports Lighting Poles

Many sporting events and activities happen at night and can only be enjoyed with reliable and comprehensive lighting. METALPOL meets this need by supplying lighting for sporting venues from recreational fields, to outdoor tennis, basketball, and volleyball courts, to highschool fields, to major college and professional stadiums. Our sports lighting poles are multi-sided tapered poles (see page 10 for more information).



METALPOL offers sports lighting poles for all types of venues:

- *recreational fields*
- *outdoor courts*
- *school fields*
- *pro stadiums.*

Proper sports lighting is essential for both competitors and spectators to enjoy sporting events at night.





Traffic Structures

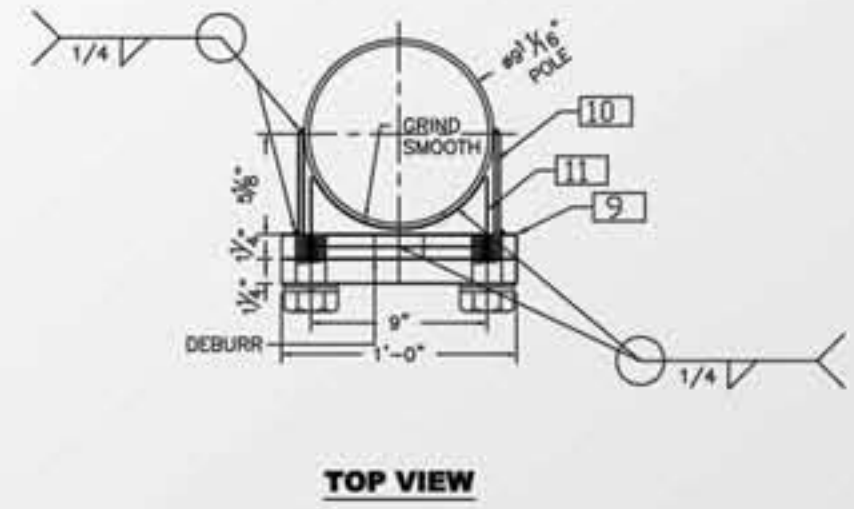
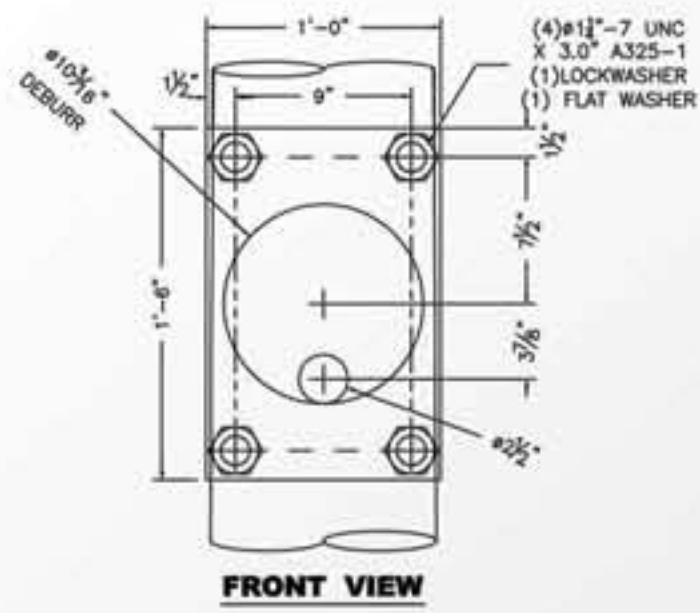
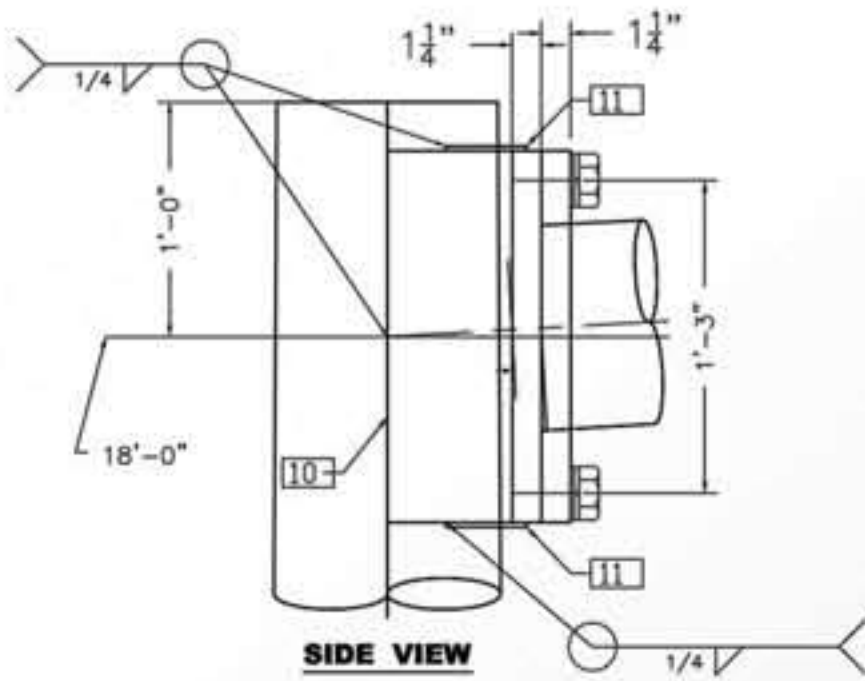
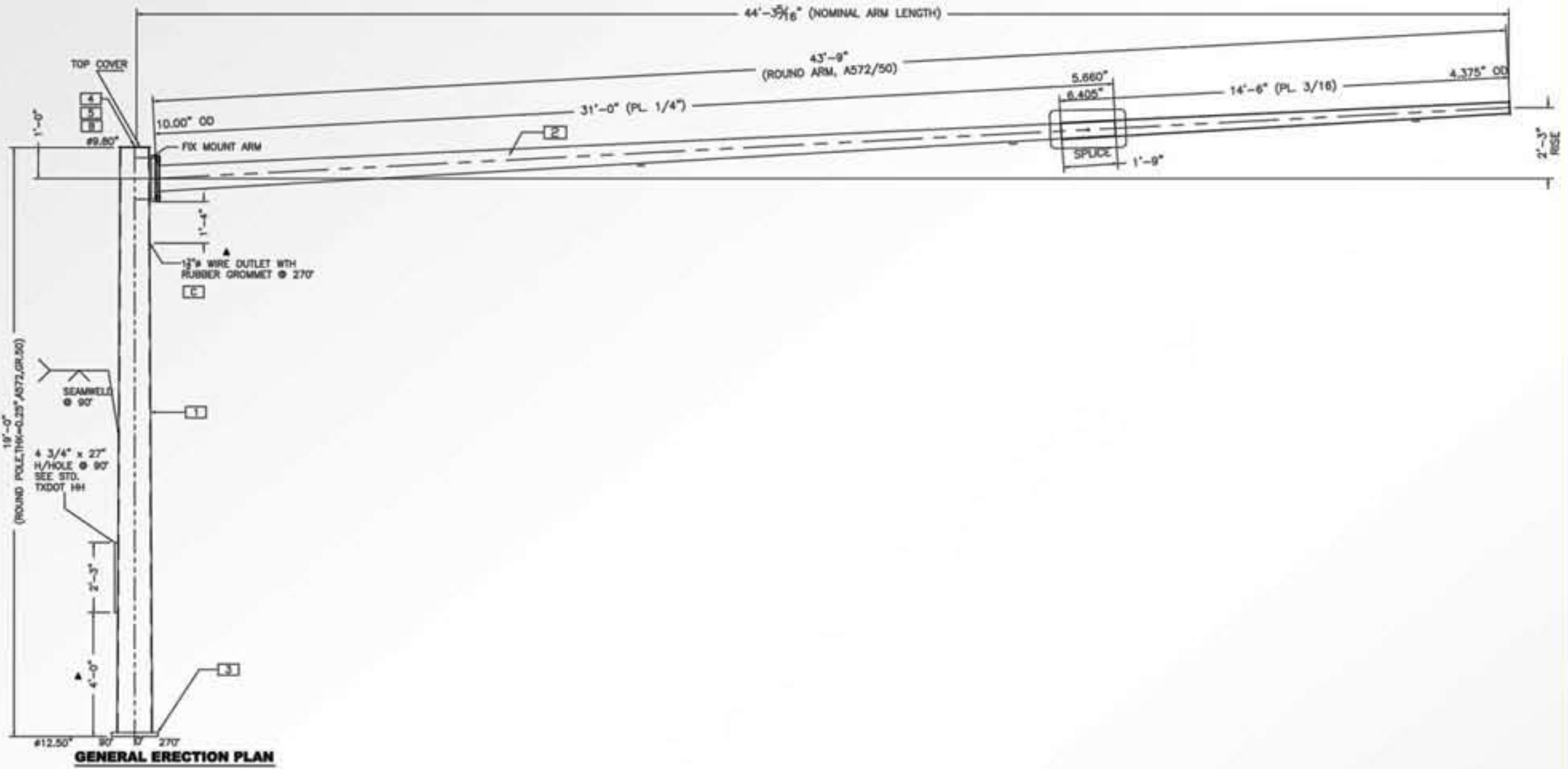
Intersections need to be safe, reliable, and functional. This is usually achieved with traffic structures. METALPOL offers traffic structures with a wide range of designs to help meet these needs. Our traffic structures are designed to meet or exceed government regulations. We offer standard traffic structures and decorative traffic structures.



METALPOL offers traffic structures to keep intersections safe, reliable, and functional.

Traffic Structures

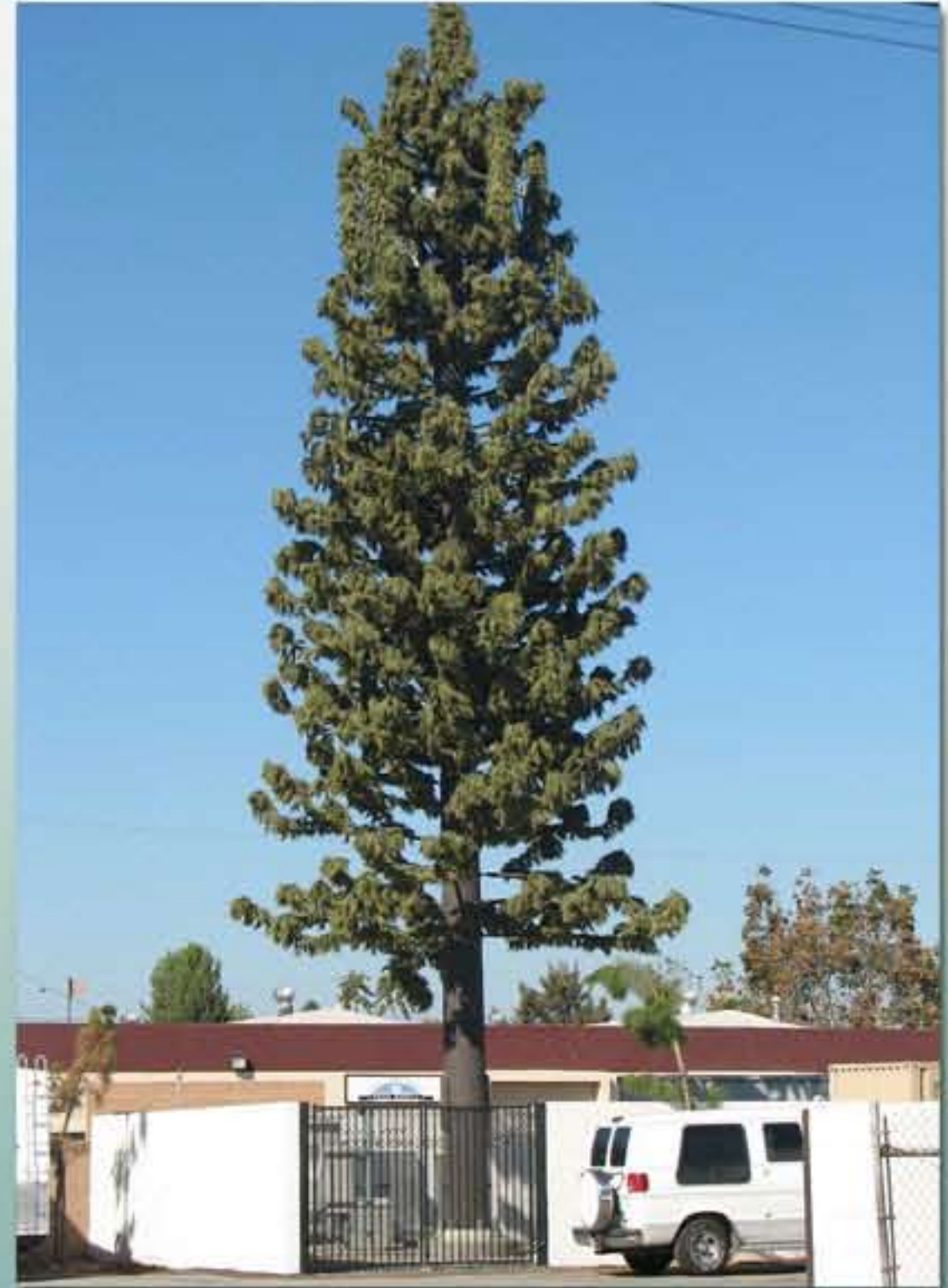
Traffic Structures



Wireless Communication Monopoles

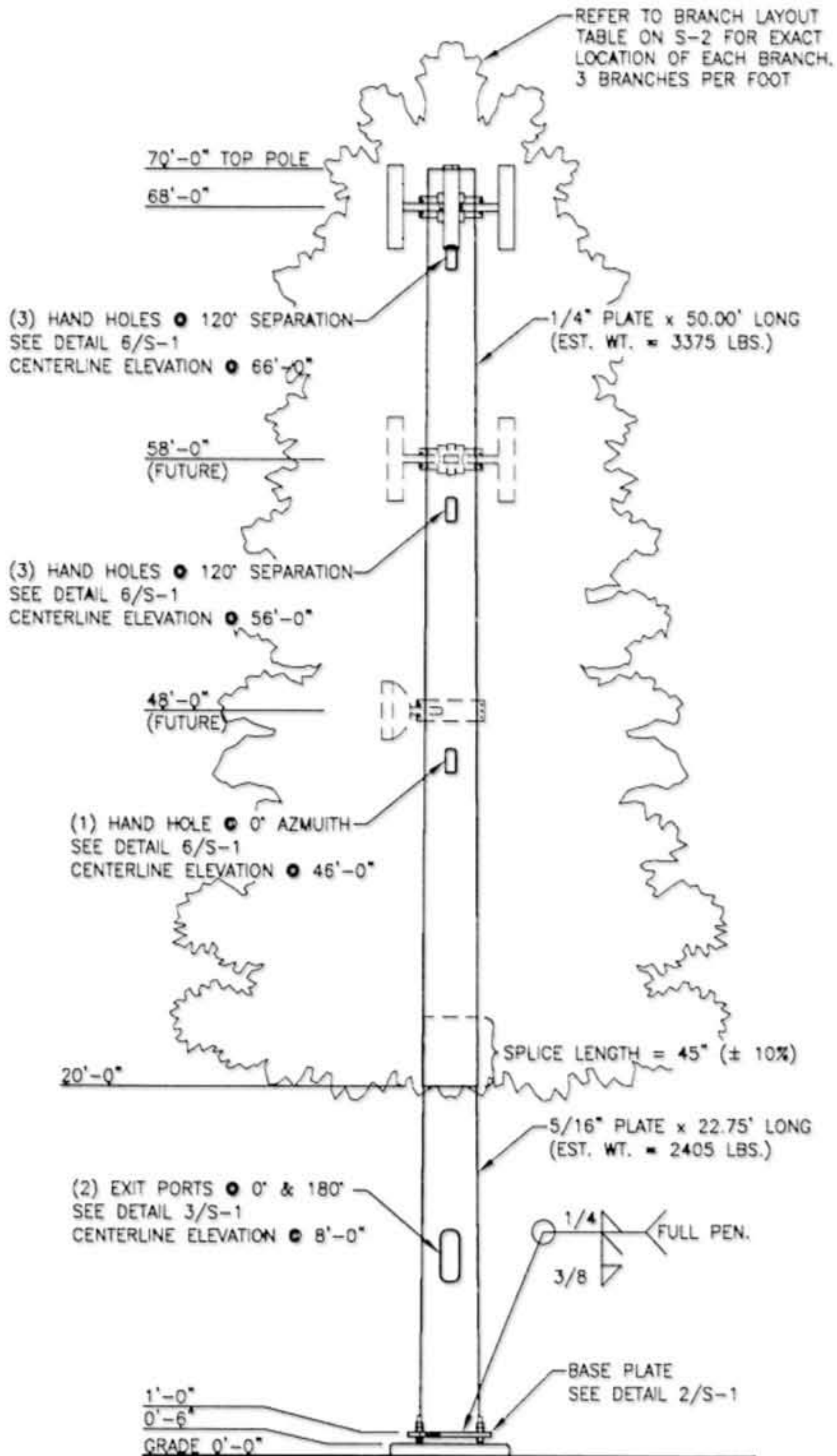
Wireless communication companies are continually turning to monopoles to meet space limitation problems and rigid local, state, and national zoning codes.

Monopoles have proven to be a very economical choice and a viable option to solving these problems. METALPOL designs and builds monopoles with strength, appearance, quality, and a competitive price in mind.



METALPOL offers wireless communication monopoles that are economical and a viable solution for space limitation problems and rigid zoning codes.

Monopoles



Distribution Poles

METALPOL also offers standard distribution poles with various heights and classes available for all distribution voltages. Our steel distribution poles are a cost-effective alternative to wood poles:

- * **Low Maintenance** - No pole shrinkage, pole fires, pole rot, or insect infestation.
- * **Light Weight** - approximately 60% less than comparable wood structures resulting in savings on transportation, handling, and installation.
- * **Longer Life** - Steel poles have an indefinite life span (when corrosion is kept in check).
- * **Environmentally Safe** - Steel poles are non-toxic and 100% recyclable and reusable.
- * **Constantly Dependable** - A uniform diameter with no knots, twists, splits or bows; thus, standard hardware always fits reducing installation times and costs.
- * **Built-In Safety** - Self conducting for grounding purposes and thus not requiring a full length copper grounding wire.
- * **Corrosion Barrier** - Choice between hot-dip galvanizing and weathering steel. Ground sleeves are available for either option. Also, below grade coatings (such as CorroCote) are available.
- * **Options** - Choice between standard embedded or anchor base installations. Can be custom designed to support larger and heavier loadings with longer spans. More options often lead to lower costs.



The initial price of a steel pole is comparable to a wood pole.

When all the costs are factored in (material, labor, transportation, installation, maintenance), most utilities have found steel poles to be between 7 to 30% less expensive than wood poles.

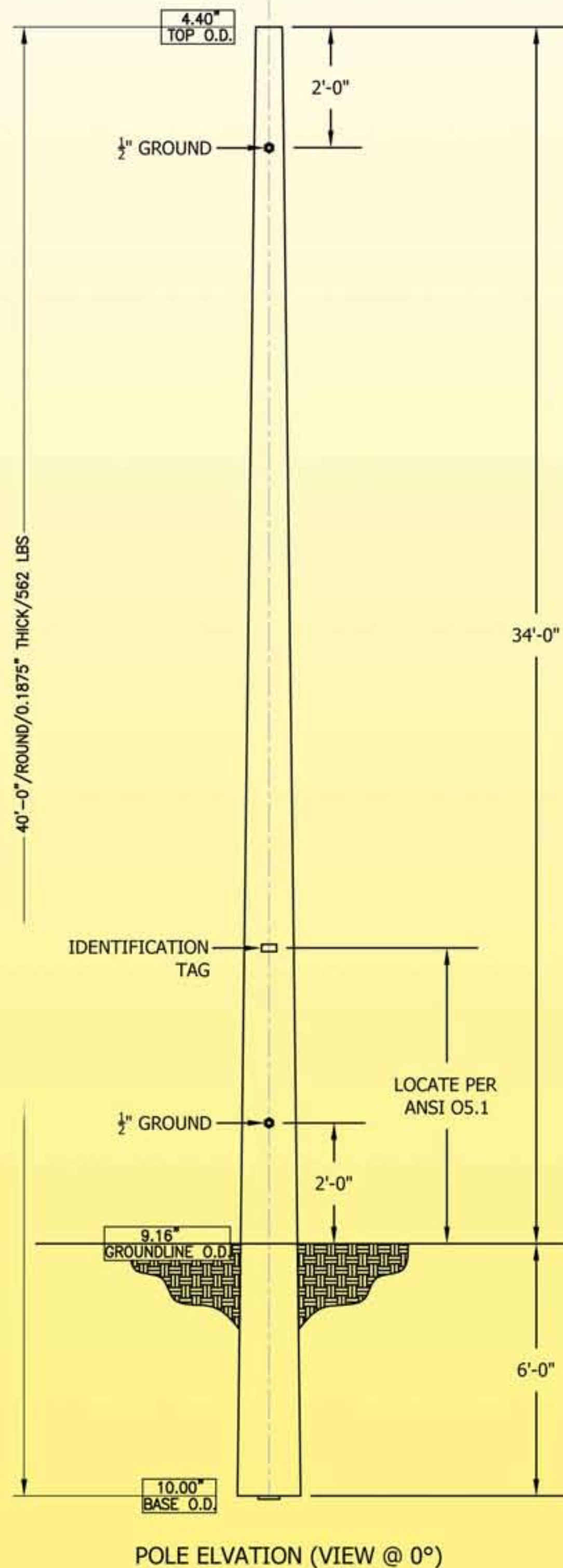
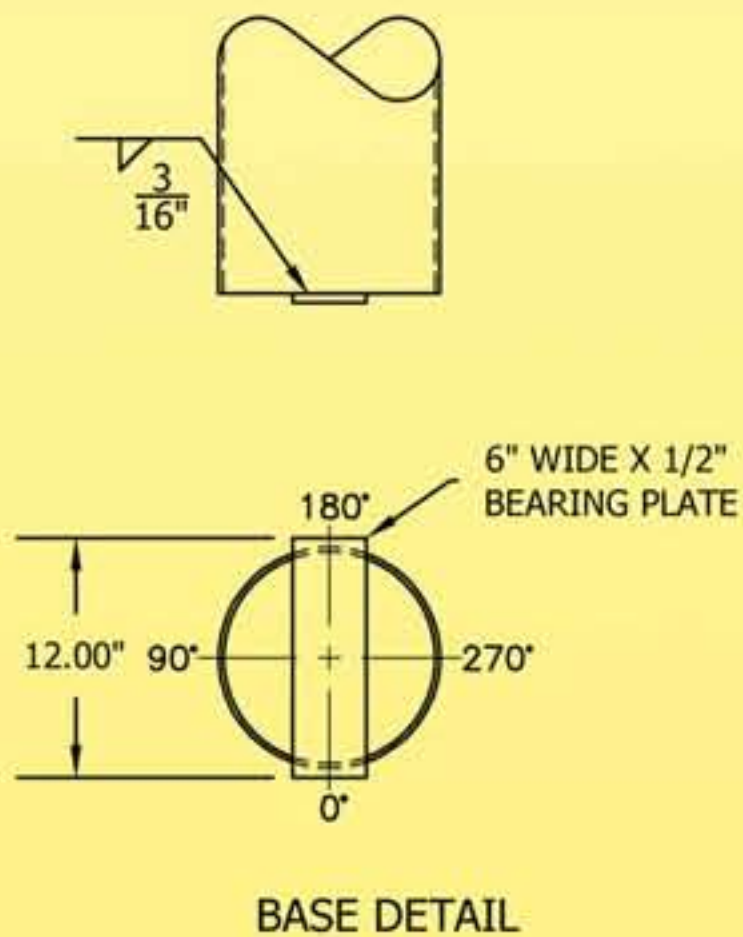
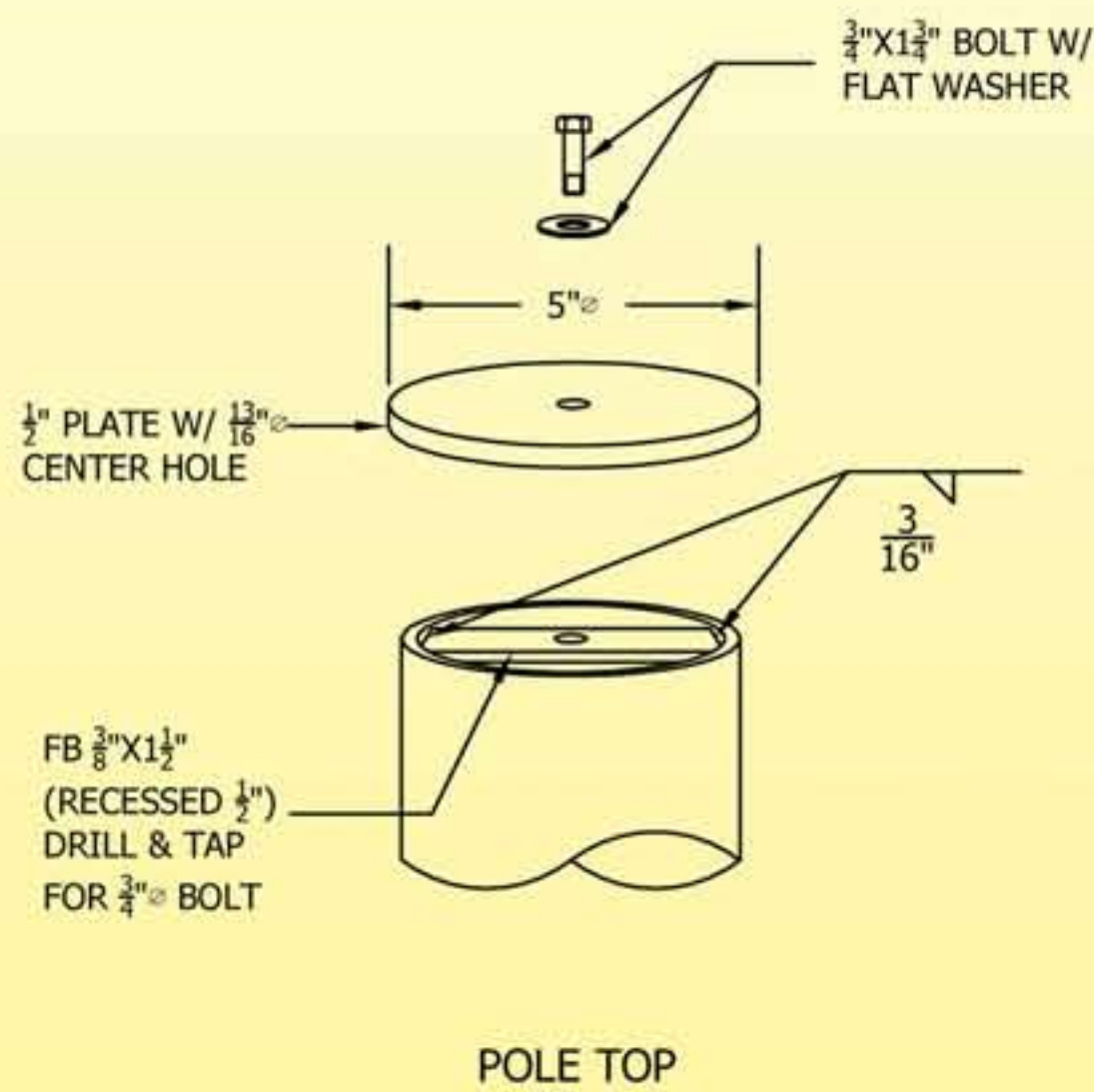


Distribution Poles

COMPONENT	SPECIFICATION
POLE SHAFT MISC. STEEL	A572 GR. 65 ASTM A36

GENERAL NOTES:

1. HARDWARE WILL BE GALVANIZED TO ASTM A153.
2. POLE WILL BE GALVANIZED TO ASTM A123.
3. ALL WELDING TO CONFORM TO AWS D1.1, LATEST EDITION.
4. POLE DESIGN CONFORMS TO NESC GR. B AND ANSI O5.1.
5. DESIGN BASED ON HORIZONTAL LOAD @ 2 FT FROM TIP.



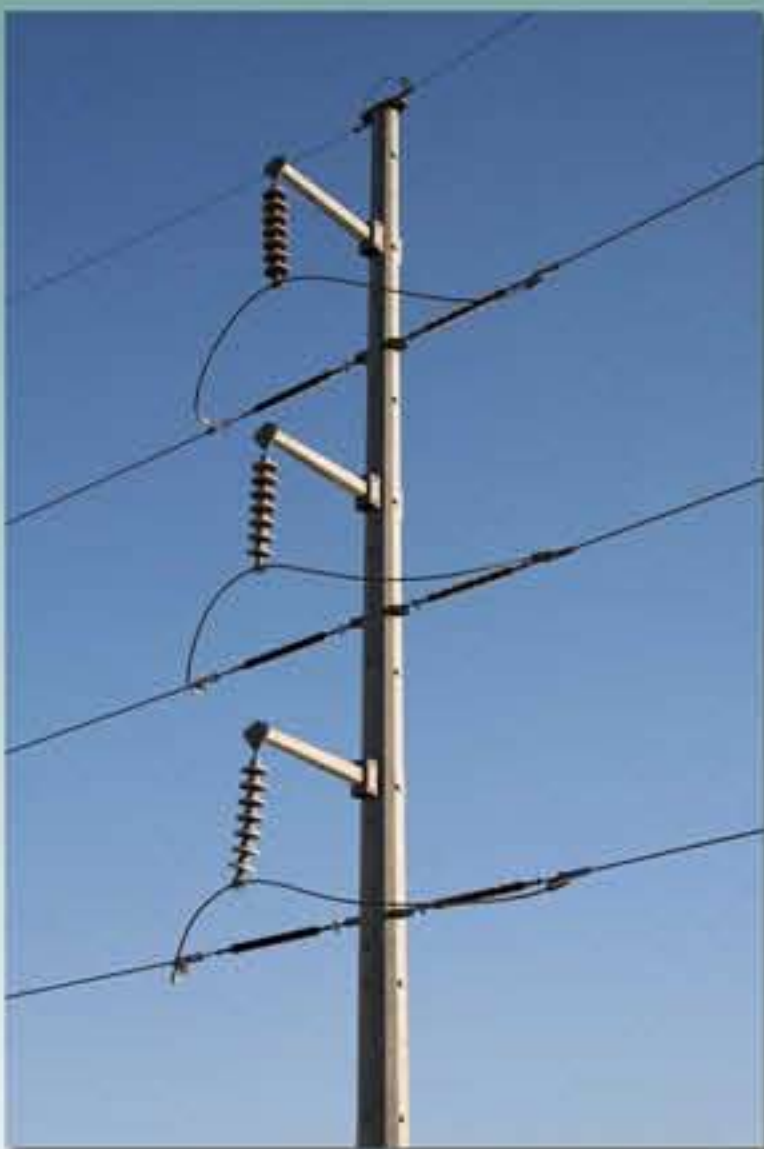
Transmission Poles

Because of environmental concerns over wood poles and space limitations not offered by traditional lattice towers, the vast majority of electric utilities are turning to steel transmission poles.

METALPOL offers standard steel transmission poles that are equivalent to standard wood pole classifications. Our tapered steel transmission poles are 12-sided, range in size from 40' to 95', and vary from Class 2 to Class H-6.

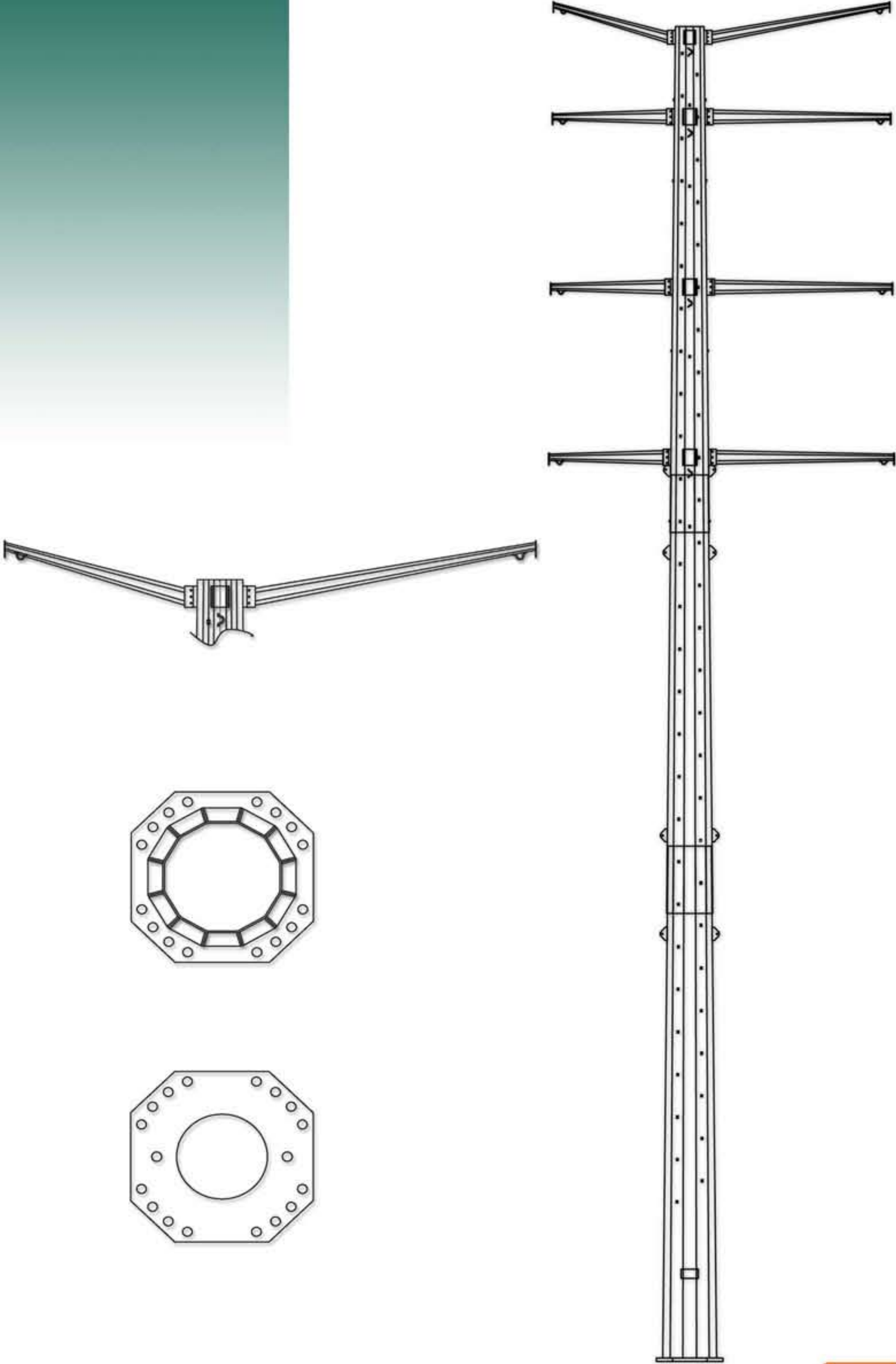
Our standard steel transmission poles are meeting and exceeding the needs of today's utility market:

- *Reliable
- *Ease of Installation
- *Light Weight
- *Low Maintenance
- *Aesthetically Pleasing
- *Environmentally Safe



Because of environmental concerns and space limitations many utilities are primarily using steel transmission poles.

Transmission Poles





Utility Lighting Poles

For 15 years, METALPOL has offered utilities steel lighting poles. We understand that each utility is unique and has different requirements and responsibilities, which is why we offer a wide range of standard lighting poles and custom designs to meet the specific needs of a utility.

METALPOL builds utility lighting poles with these goals in mind: appearance, quality, strength, and a competitive price. We offer the following products for utility lighting:

- *Roadway lighting poles
- *Area lighting poles
- *Decorative lighting poles
- *Sporting lighting poles
- *Custom designed poles
- *Lighting bracket arms

METALPOL manufactures utility lighting poles which are attractive in appearance and price.



Custom Poles

Custom Designed Poles

METALPOL realizes that one size does not always fit all. Sometimes job requirements, for various reasons, will not allow the use of standard sized poles. Whenever this is the case, METALPOL offers customer-designed poles. Unlike the majority of our competitors, METALPOL does not charge an extra fee for manufacturing custom-designed poles.

For custom (or customer) designed poles, you decide exactly:

- the length of the pole
- the O.D. for the base and the top of the pole
- the taper of the pole
- the number of sides of the pole

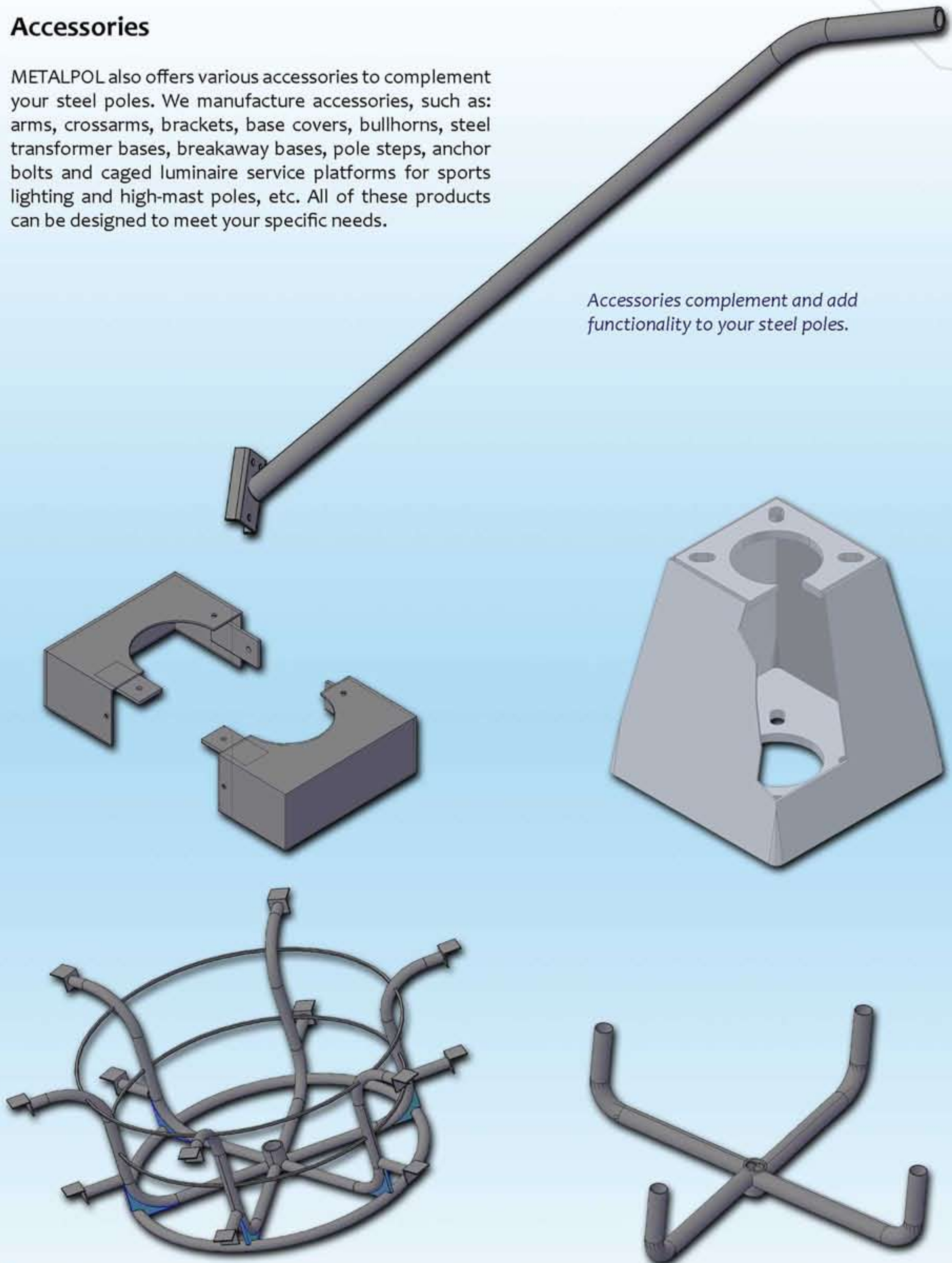


METALPOL offers custom designed poles for those occasions when a standard sized pole is not appropriate.

Accessories

METALPOL also offers various accessories to complement your steel poles. We manufacture accessories, such as: arms, crossarms, brackets, base covers, bullhorns, steel transformer bases, breakaway bases, pole steps, anchor bolts and caged luminaire service platforms for sports lighting and high-mast poles, etc. All of these products can be designed to meet your specific needs.

Accessories complement and add functionality to your steel poles.



Working Hard for You!

At METALPOL, our people are continuously working hard to bring you a better product at a more competitive price!

We realize that you have lots of choices when it comes to steel poles, which is why every department in our company (production, quality control, shipping, purchasing, sales, human resources, engineering, accounting, etc) has implemented a continuous improvement program. We want to improve and become the one-stop source for all your steel pole needs!





METALPOL

Santiago Papasquiario No. 158 Parque Industrial Lagunero
Gómez Palacio, Durango 35070, México

011-52-871-229-1720 / 011-52-871-229-1700
www.metalpol.com.mx
utilitysales@metalpol.com.mx